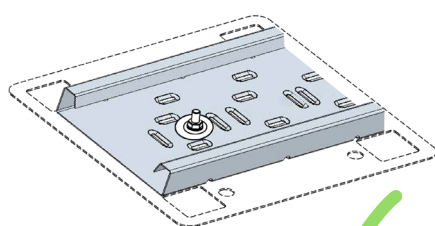




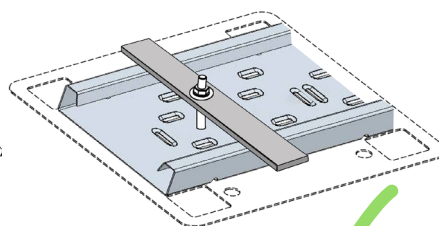
# Special solution

## Additional fixing of the floor rails

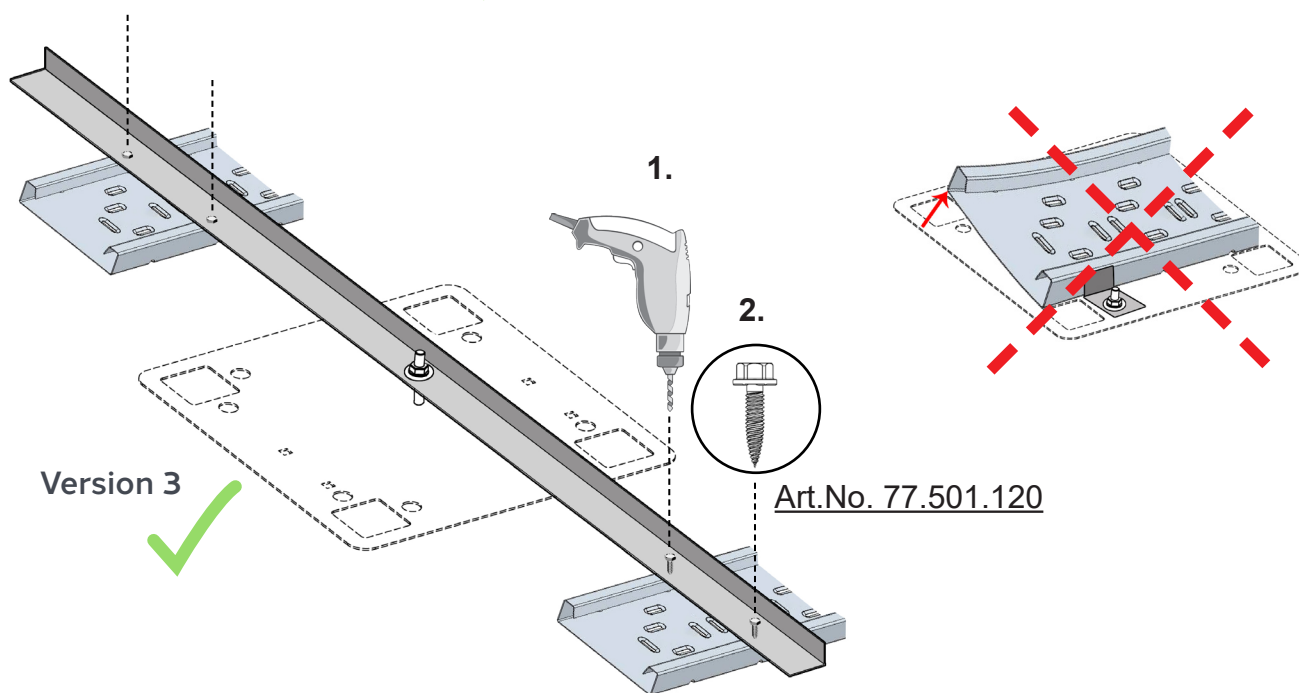
To supplement or as an alternative to ballasting the floor rails with weights, the floor rails are attached using CWL plates.



Version 1



Version 2



Version 3



Art.No. 77.501.120

For more information, please visit [www.soltop-energie.ch](http://www.soltop-energie.ch) & [www.soltop-energie.eu](http://www.soltop-energie.eu)

**SOLTOP Energie AG**  
St. Gallerstrasse 3  
CH-8353 Elgg  
info@soltop-energie.ch

**SOLTOP Energie GmbH**  
Lindauer Straße 15  
D-88145 Hergatz  
info@soltop-energie.eu

**SOLTOP Energie SA**  
Rue des Sablons 8  
CH-3960 Sierre  
info.fr@soltop-energie.ch

**SOLTOP Energie SA**  
Avenue Haldimand 41  
CH-1400 Yverdon-les-Bains  
info@soltop-energie.ch