

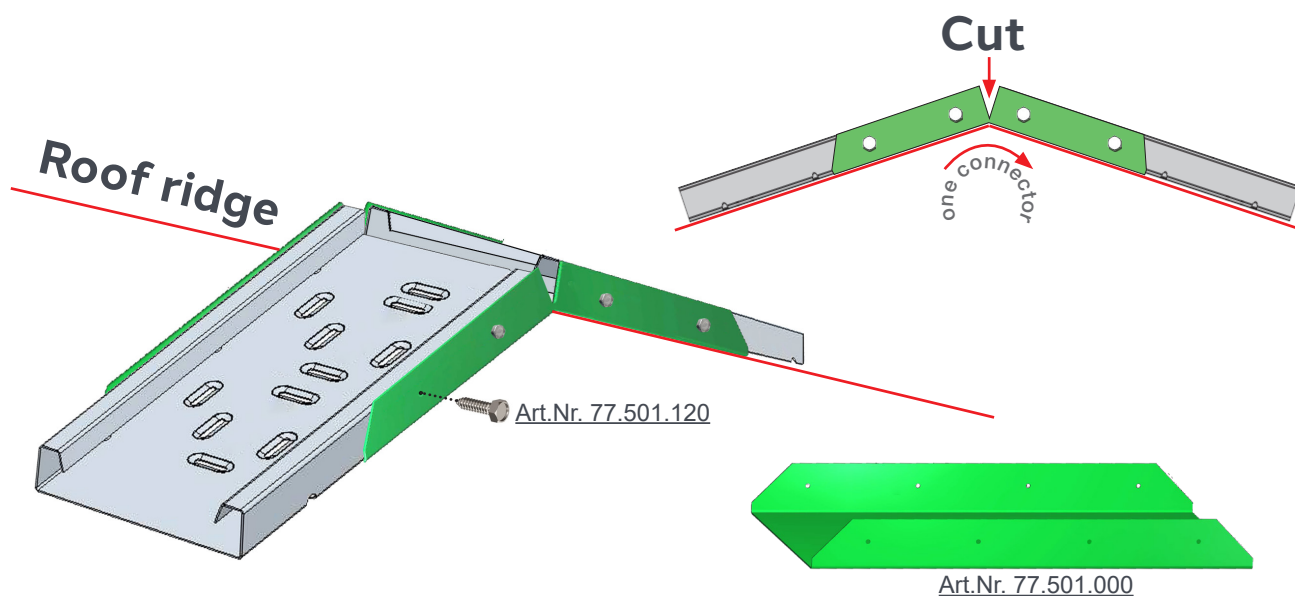


Special solution

for slip protection in PV systems

To prevent your photovoltaic system from slipping, we offer a special mounting solution. This consists of a ground rail that is installed over the roof ridge and thus provides additional protection.

The use of this special solution is particularly recommended for roof pitches over 5° on bitumen roofs and over 3° on PVC foil roofs. This measure increases the stability of the system and ensures safe operation.



For more information, please visit www.soltop-energie.ch & www.soltop-energie.eu

SOLTOP Energie AG

St. Gallerstrasse 3
CH-8353 Elgg
info@soltop-energie.ch

SOLTOP Energie GmbH

Lindauer Straße 15
D-88145 Hergatz
info@soltop-energie.eu

SOLTOP Energie SA

Rue des Sablons 8
CH-3960 Sierre
info.fr@soltop-energie.ch

SOLTOP Energie SA

Avenue Haldimand 41
CH-1400 Yverdon-les-Bains
info@soltop-energie.ch