



Duraklick

Green roof Mounting-System GR-400

Duraklick

A brand of SOLTOP Energie GmbH

Duraklick - GR-400 is available in 10°. The system can be installed in both south-facing and east-west configurations. The raised module position makes it ideal for all types of green roofs and open land. This also opens up green roofs for economical use with photovoltaics, which have a higher degree of efficiency thanks to the low ambient temperature. Thanks to the special design of the module support, this system can also withstand high wind and snow loads. The outstanding system properties such as simple installation by clicking in the module supports, the excellent load distribution thanks to the 230 mm wide base profile and the light-weight aluminum composite construction ensure short installation times and offer a wide range of applications.



Easy to
assemble

Non-roof-
penetrating

Best load
distribution

For more information, please visit www.soltop-energie.ch & www.soltop-energie.eu

SOLTOP Energie AG
St. Gallerstrasse 3
CH-8353 Elgg
info@soltop-energie.ch

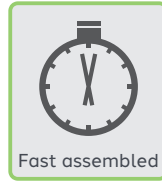
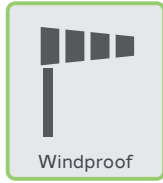
SOLTOP Energie GmbH
Lindauer Straße 15
D-88145 Hergatz
info@soltop-energie.eu

SOLTOP Energie SA
Rue des Sablons 8
CH-3960 Sierre
info.fr@soltop-energie.ch

SOLTOP Energie SA
Avenue Haldimand 41
CH-1400 Yverdon-Les-Bains
info@soltop-energie.ch

Green roof Mounting-System GR-400

072025



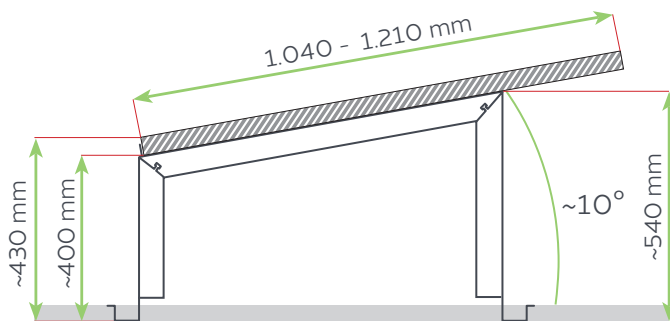
Convincing Features:

- Simple and safe
- Cell height ~ 43cm above roof cladding
- For legal promotion
- Also mountable in east west configuration
- Corrosion resistant material and statically tested
- Made in Germany

Duraklick-GR-400 is available as a special solution with an prop height of 400 mm:

GR-400 10°

Module width 1134 / 30 mm

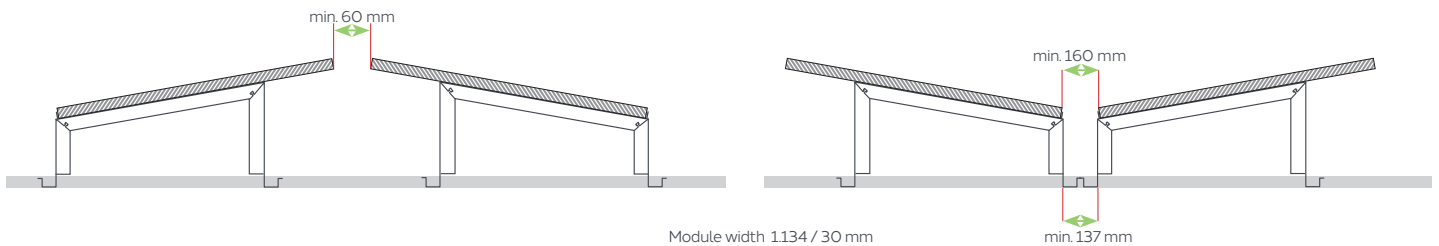


Technical specifications

Inclination	10°
Rail length	0,3 - 6,0 m
Modul width	1.040 - 1.210 mm
Flächenlast	ca. 10,9 kg/m ² *
Surface load	ca. 18 kg/m *
Material	aluminium / stainless steel

* assuming a module weight of 19 kg

The GR 10° mounting system can also be installed in an east-west configuration.



For more information, please visit www.soltop-energie.ch & www.soltop-energie.eu

SOLTOP Energie AG
St. Gallerstrasse 3
CH-8353 Elgg
info@soltop-energie.ch

SOLTOP Energie GmbH
Lindauer Straße 15
D-88145 Hergatz
info@soltop-energie.eu

SOLTOP Energie SA
Rue des Sablons 8
CH-3960 Sierre
info.fr@soltop-energie.ch

SOLTOP Energie SA
Avenue Haldimand 41
CH-1400 Yverdon-les-Bains
info@soltop-energie.ch